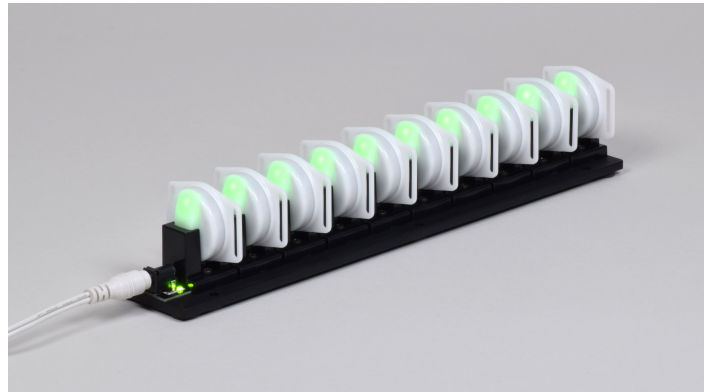




## Description

The DWTAG Charger is an efficient and space saving product that allows simultaneous charging of multiple Ciholas Ultra-Wideband (CUWB) DWTAGs. It supports charging of up to 10 units at a time.



## 1 Features

- Charge up to 10 DWTAGs simultaneously
- 20W 5VDC adapter that will accept U.S. pronged 100-240VAC, 50/60Hz, 0.6A Power
- Individually fused charging ports
- Charge depleted DWTAG in two hours
- Green LED on the CHARGER signifies the presence of input power
- Powder coated metal frame for easy mounting
- Rubber feet provide surface protection

## 2 Ordering

Model	Part Number	Description
CHG100	E00620-00620	DWTAG CHARGER 10-Slot Open Frame

Available from the [Ciholas Webshop](#)

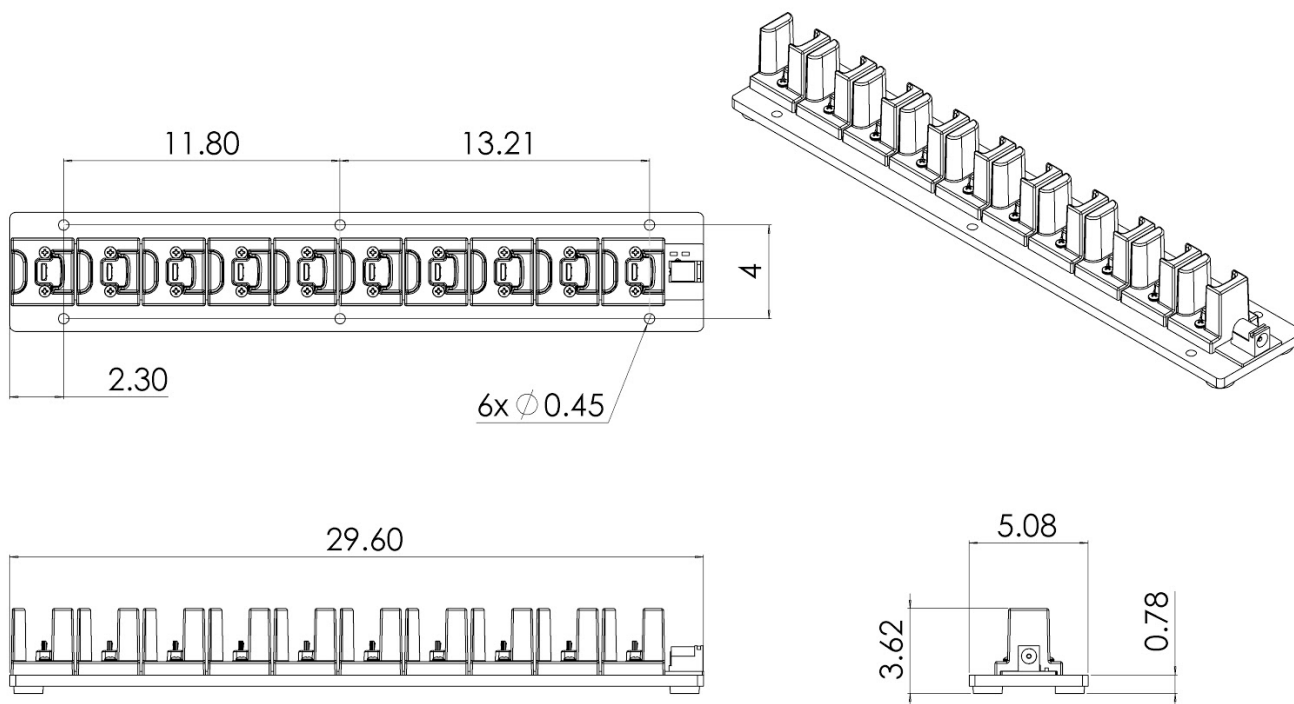


### 3 Electrical

Parameter	Description	Min.	Typ.	Max	Units
V <sub>in</sub>	Input Voltage	4.5	5.0	5.5	V
P	Power		20		W
T <sub>o</sub>	Operational Temperature	0		65	°C

### 4 Mechanical

Parameter	Description	Min.	Typ.	Max	Units
Mass	Typical Unit Mass		293		g



Dimension units: Centimeters

## 5 Operation

---

To ensure proper operation of the CHG100 and avoid overheating of devices ensure that charging is done in a temperature controlled and ventilated area.

## 6 More Information

---

Please visit the following links for more information and documentation regarding **Ciholas** UWB systems and products:

- Documentation, installation, and usage instructions visit [CUWB.io](https://CUWB.io)
- To purchase **Ciholas** UWB products please visit the [Ciholas Shop](#)
- Ask other users questions and find community information in the [Community Forum](#)
- Learn more about Ciholas services at [www.ciholas.com](http://www.ciholas.com)

## 7 CHG100 Datasheet Change Log

---

Version	Date	Change Description
1.0	2018-05-10	Initial Public Release