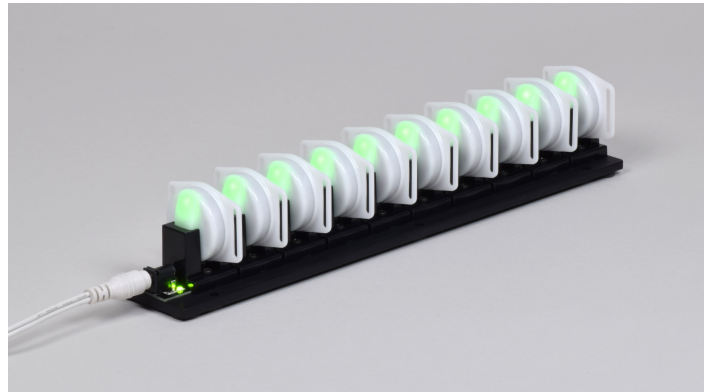




## Description

The DWTAG Charger is an efficient and space saving product that allows simultaneous charging of multiple Ciholas Ultra-Wideband (CUWB) DWTAGs. It supports charging of up to 10 units at a time.



## 1 Features

- Charge up to 10 DWTAGs simultaneously
- 20W 5VDC adapter that will accept U.S. pronged 100-240VAC, 50/60Hz, 0.6A Power
- Individually fused charging ports
- Charge depleted DWTAG in two hours
- Green LED on the CHARGER signifies the presence of input power
- Powder coated metal frame for easy mounting
- Rubber feet provide surface protection

## 2 Ordering

Model	Part Number	Description
CHG100	E00620-00620	DWTAG CHARGER 10-Slot Open Frame

Available from the [Ciholas Webshop](#)



### 3 Electrical

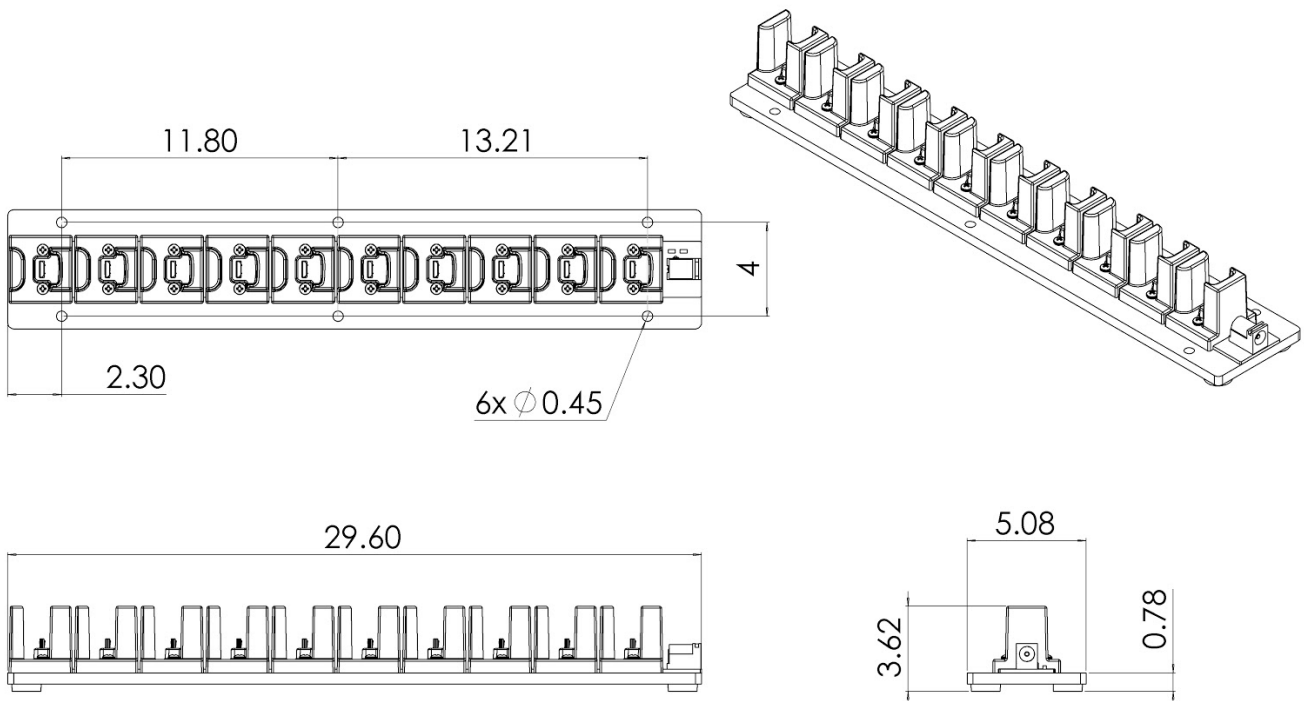
Parameter	Description	Min.	Typ.	Max	Units
V <sub>in</sub>	Input Voltage	4.5	5.0	5.5	V
P	Power		20		W
T <sub>o</sub>	Operational Temperature	0		65	°C

### 4 Mechanical

Parameter	Description	Min.	Typ.	Max	Units
Mass	Typical Unit Mass		293		g

**Ingress Protection**

IP10, protected against any large surface of the body but not protected against deliberate contact, no protection against liquids



Dimension units: Centimeters

## 5 Operation



- To ensure proper operation of the CHG100 and avoid overheating of devices ensure that charging is done in a temperature controlled and ventilated area.
- Before you work on or install any electrical equipment, be aware of the hazards involved with electrical circuitry and be familiar with standard practices for preventing accidents.



- Usage of this product outside the parameters outlined in the user manual can result in bodily injury and damage to this and other equipment. To prevent this, please follow all instructions in the user manual.
- Installation of this equipment must comply with all local and national electrical codes.

## 6 More Information

Please visit the following links for more information and documentation regarding **Ciholas** UWB systems and products:

- Documentation, installation, and usage instructions visit [CUWB.io](http://CUWB.io)
- To purchase **Ciholas** UWB products, please visit the [Ciholas Shop](#)
- Ask other users questions and find community information in the [Community Forum](#)
- Learn more about Ciholas services at [www.ciholas.com](http://www.ciholas.com)

## 7 CHG100 Datasheet Change Log

Version	Date	Change Description
<b>1.0</b>	2018-05-10	Initial Public Release
<b>1.1</b>	2018-06-04	Added Product Warnings Added IP Rating